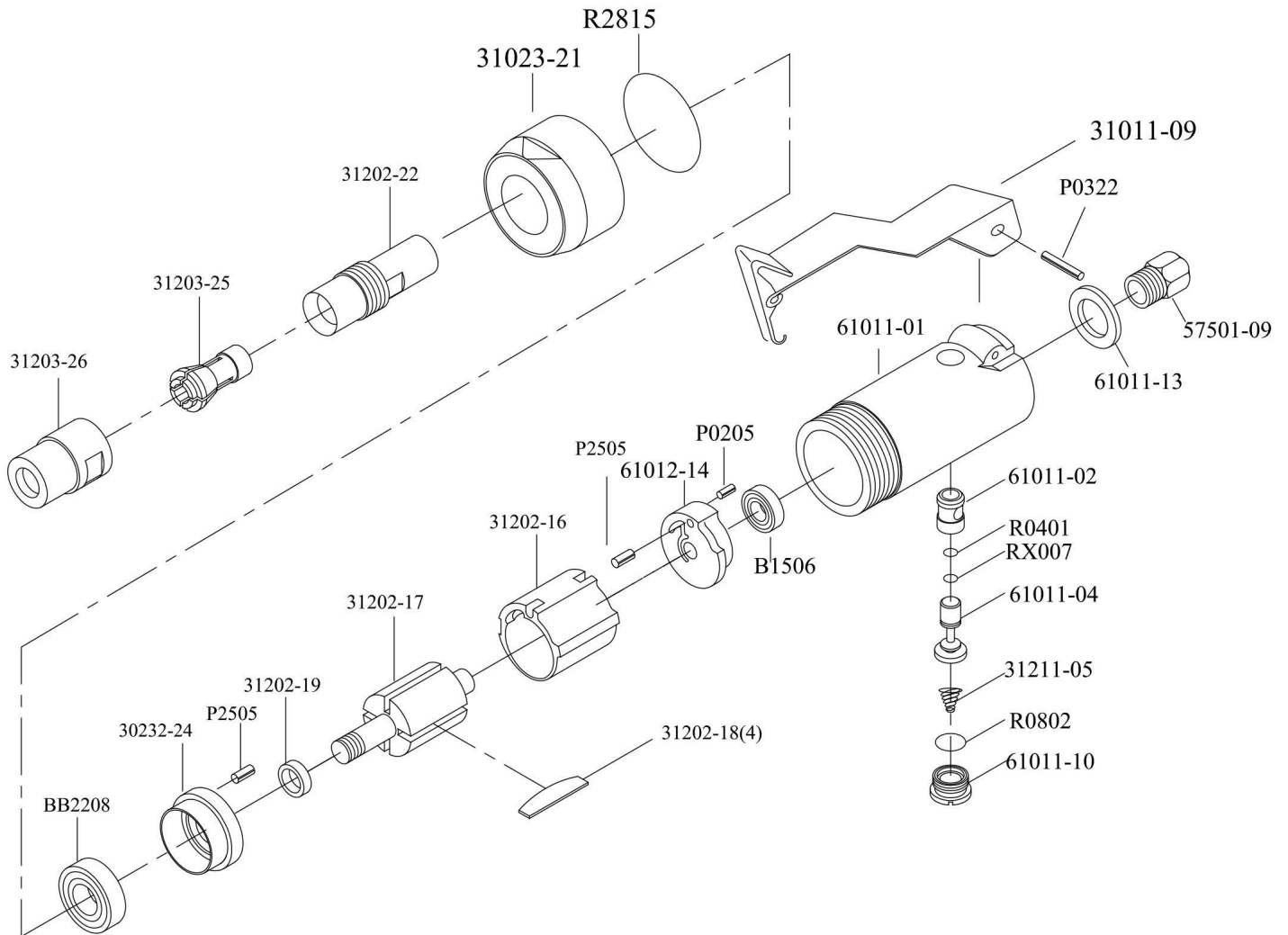


APT901 - Mini Straight Die Grinder



Ref	PCL Part No	Description	Qty
68011-01	APS901/6801101	Motor housing	1
61011-02	APS901/6101102	Valve bushing	1
R0401	APS901/R0401	O-ring	1
61011-04	APS901/6101104	Throttle valve	1
RX007	APS901/RX007	O-ring	1
31211-05	APS901/3121105	Valve spring	1
R0802	APS901/R0802	O-ring	1
61011-10	APS901/6101110	Valve screw	1
31011-09	APS901/3101109	Throttle lever	1
P0322	APS901/P0322	Spring pin	1
61011-13	APS901/6101113	Exhaust sleeve	1
57501-09	APS901/5750109	Inlet bushing	1
B1506	APS901/B1506	Bearing	1
61012-14	APS901/6101214	Rear end plate	1
P0205	APS901/P0205	Spring pin	1

Ref	PCL Part No	Description	Qty
P2505	APS901/P2505	Plate pin	2
31202-16	APS901/3120216	Cylinder	1
31202-17	APS901/3120217	Rotor	1
31202-18	APS901/3120218	Rotor blade	4
31202-19	APS901/3120219	Rotor collar	1
31232-24	APS901/3123224	Front end plate	1
B2208	APS901/B2208	Ball bearing	1
R2815	APS901/R2815	O-ring	1
31023-21	APS901/3102321	Housing cap	1
31202-22	APS901/3120222	Spindle	1
31203-25	APS901/CLT	Collect	1
31203-26	APS901/CNT	Collect nut	1
WO017	APS901/WO017	17mm spanner wrench	1
WO011	APS901/WO011	11mm spanner wrench	1